

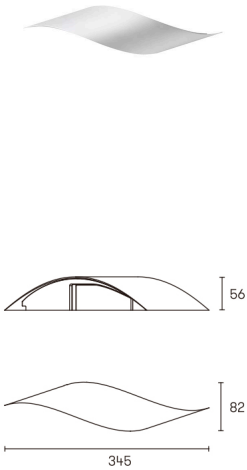
Rizz 345mm

Ramon Valls

05-1819-BW-BW

TECHNICAL FEATURES

IP20



Power (W) : 6W

Total power consumption of light (W) : 8.2W

Real lumens : 435

Real lm/W : 53

Colour temperature : LED warm-white 3000K

Lens / reflector angle : FLOOD 85°

Structure material : Aluminium

Structure finish : White

Diffuser material : Methacrylate

Diffuser finish : Tinted

Useful life : 50.000h L80B20

Equipment included : Yes, electronic

Voltage / frequency : 110-240VAC/50-60Hz

Warranty : 2 Years

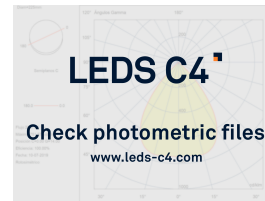
Max. temperature : 25°C

Energy efficiency : LED A++

LUMINOTECHNIC FEATURES

Light source: LED

CRI: 80



LOGISTICS

Net weight (kg): 0.37

Packaged weight (kg): 0.73

Packaging: 410mm x 120mm x 115mm

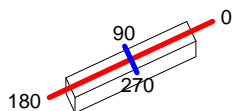
 6 Un



Luminaire		Measur.		Lamp		
Code	05-1819-BW-BW	Code	05-1819-BW-BW	Code	05-1819-BW-BW	
Name	Aplique 6 leds x1W CREE blanco	Name	Aplique 6 leds x1W CREE blanco	Number	1	
Line	Eulumdat	Date	05-07-2013	Position		
Efficiency	100.00%	Coordinate system	CG	Total Flux	435.01 lm	
Maximum value	113.12 cd	Position	C=90.00 G=5.00	Asymmetrical		
Rectangular Luminaire	Length	56 mm	Width	345 mm	Height	82 mm
Rectangular Luminous Area	Length	20 mm	Width	95 mm	Height	82 mm
Horizontal Luminous Area	0.001900 m2	Emitting area on Plane 180°		0.001640 m2		
Emitting area on Plane 0°	0.001640 m2	Emitting area on Plane 270°		0.007790 m2		
Emitting area on Plane 90°	0.007790 m2	Glare area at 76°		0.002051 m2		
Symmetry Type	Asymmetrical	Maximum Gamma Angle		180		
Measurement Distance	0.00	Measurement Flux		435.01 lm		
Operator	Asselum T2	Source voltage				
Temperature	25.00 °C	Source current				
Humidity	60.00 %	Photocell				
Notes						

Luminaire Lamps					
Line	Code	Name	Flux [lm]	Pow. [W]	Q.ty
Eulumdat	05-1819-BW-BW	05-1819-BW-BW - 6.00 W	435.01	6.00	1
C.I.E.	59 86 96 50 100	D DIN 5040	C41		
F UTE	0.50 D + 0.50 T	B NBN	BZ 3 / 4 / BZ 4		

56mm x 345mm



C Halfplanes

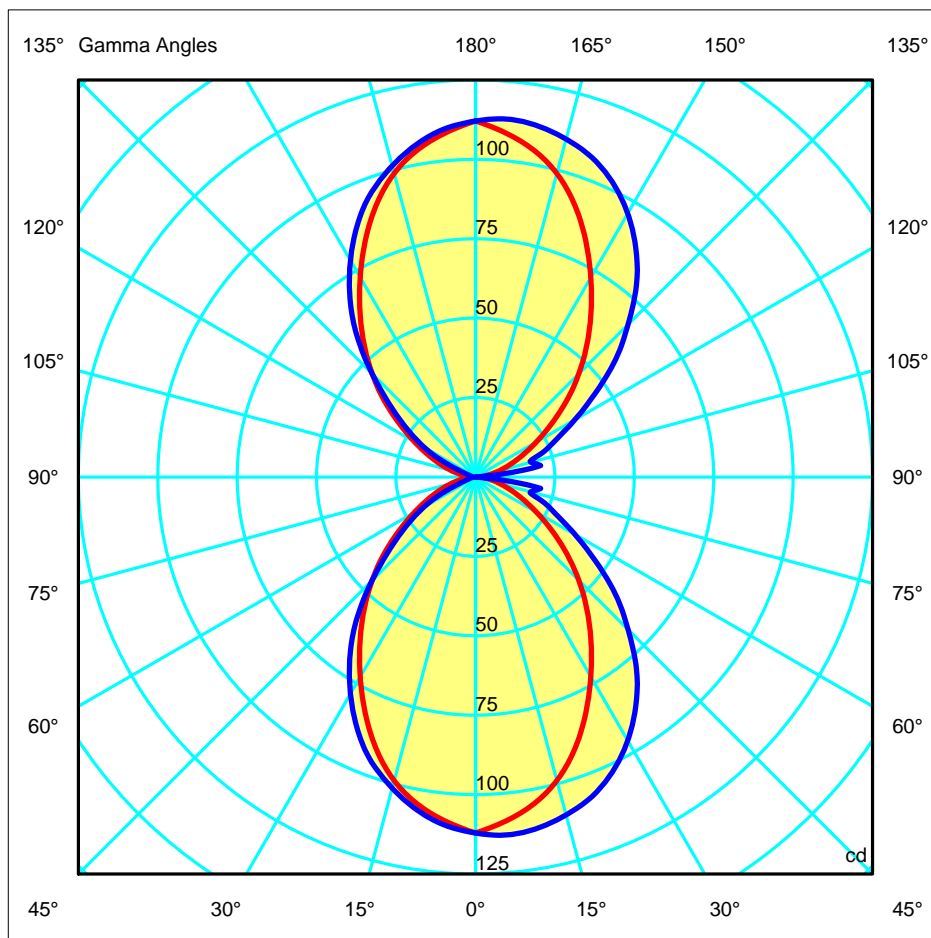
180.0 — 0.0 (Red line)

270.0 — 90.0 (Blue line)

ULOR 50.00 %

DLOR 50.00 %

RN 50.00 %

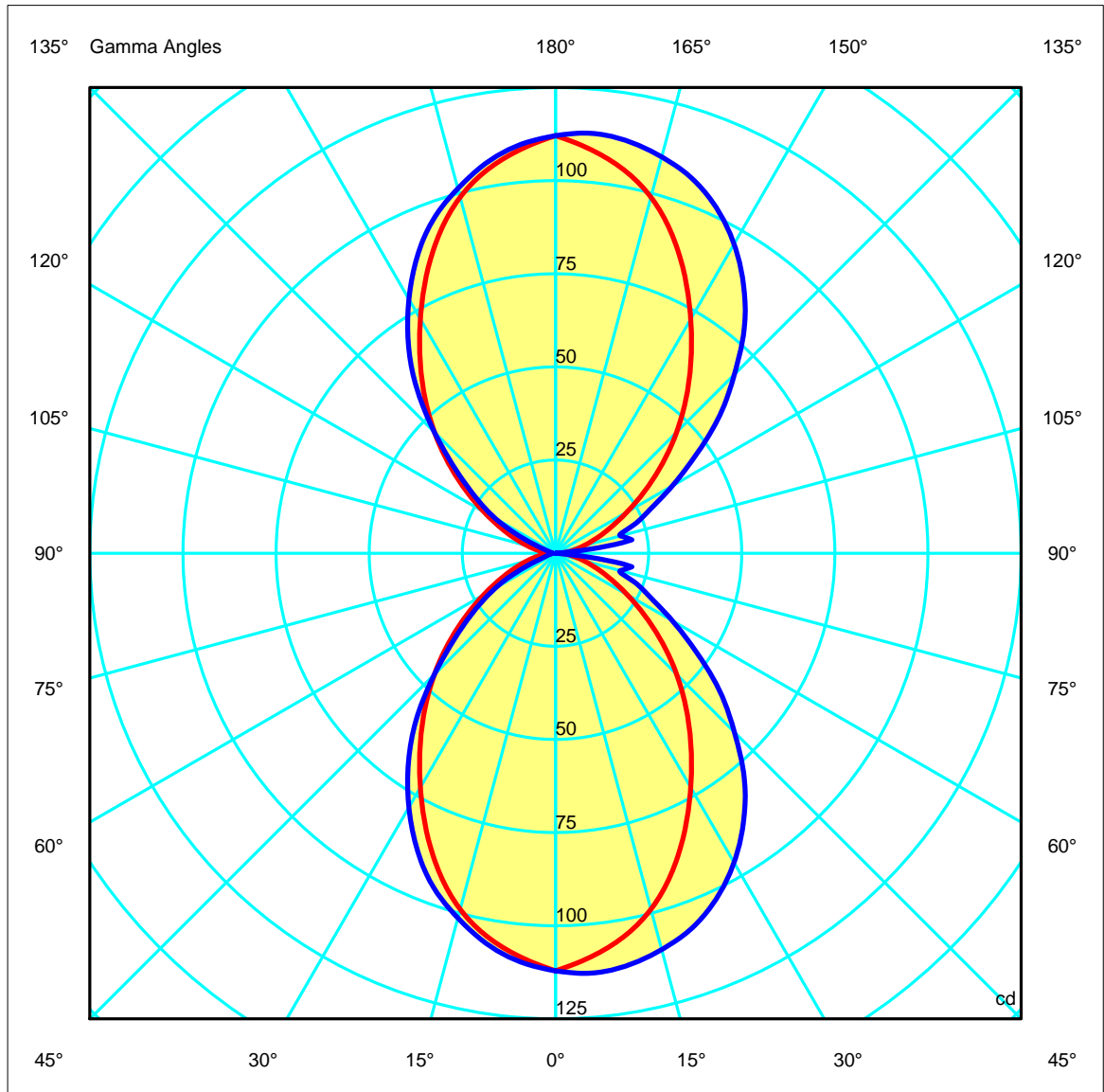
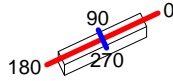


Luminaire		Measuram.		Lamp	
Code	05-1819-BW-BW	Code	05-1819-BW-BW	Code	05-1819-BW-BW
Name	Aplique 6 leds x1W CREE blanco	Name	Aplique 6 leds x1W CREE blanco	Number	1
Line	Eulumdat	Date	05-07-2013	Position	
Efficiency	100.00%	Coordinate system	CG	Total Flux	435.01 lm

56mm x 345mm

C Halfplanes

180.0 ——— 0.0
 270.0 ——— 90.0



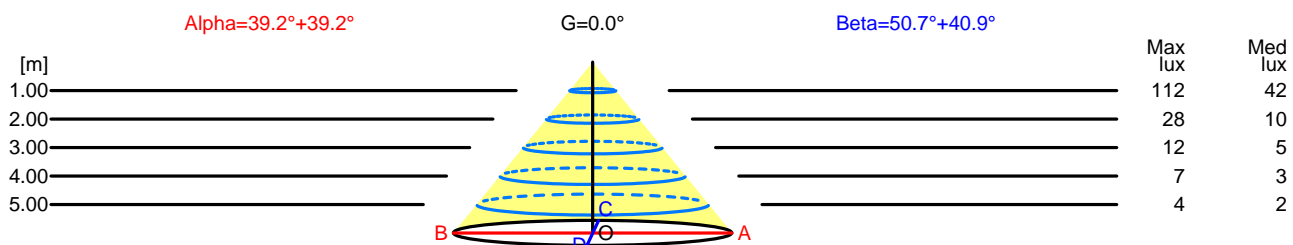
Luminaire		Measur.		Lamp	
Code	05-1819-BW-BW	Code	05-1819-BW-BW	Code	05-1819-BW-BW
Name	Aplique 6 leds x1W CREE blanco	Name	Aplique 6 leds x1W CREE blanco	Number	1
Line	Eulumdat	Date	05-07-2013	Position	
Efficiency	100.00%	Coordinate system	CG	Total Flux	435.01 lm

Width at 50.00 % of Max Intensity

H[m]	1.00	2.00	3.00	4.00	5.00	H[m]	1.00	2.00	3.00	4.00	5.00
OA	0.81	1.63	2.44	3.26	4.07	OC	1.22	2.44	3.66	4.88	6.10
OB	0.81	1.63	2.44	3.26	4.07	OD	0.86	1.73	2.59	3.46	4.32

Luminous Intensities [cd]

	0	5	15	25	35	45	55	65	75	85
OA	112.10	108.76	98.95	82.11	63.42	45.98	29.38	16.32	7.96	2.85
OB	112.10	108.76	98.95	82.11	63.42	45.98	29.38	16.32	7.96	2.85
OC	112.10	113.12	110.14	102.24	87.98	67.91	46.07	28.14	17.98	3.06
OD	112.10	110.04	101.35	87.86	68.92	46.03	26.19	10.00	2.13	0.93



H[m]	D[m]	Max lux	Med lux	Alpha=39.2°+39.2° G=0.0	
1.00	1.63	112	42		
2.00	3.26	28	10		
3.00	4.89	12	5		
4.00	6.52	7	3		
5.00	8.15	4	2		

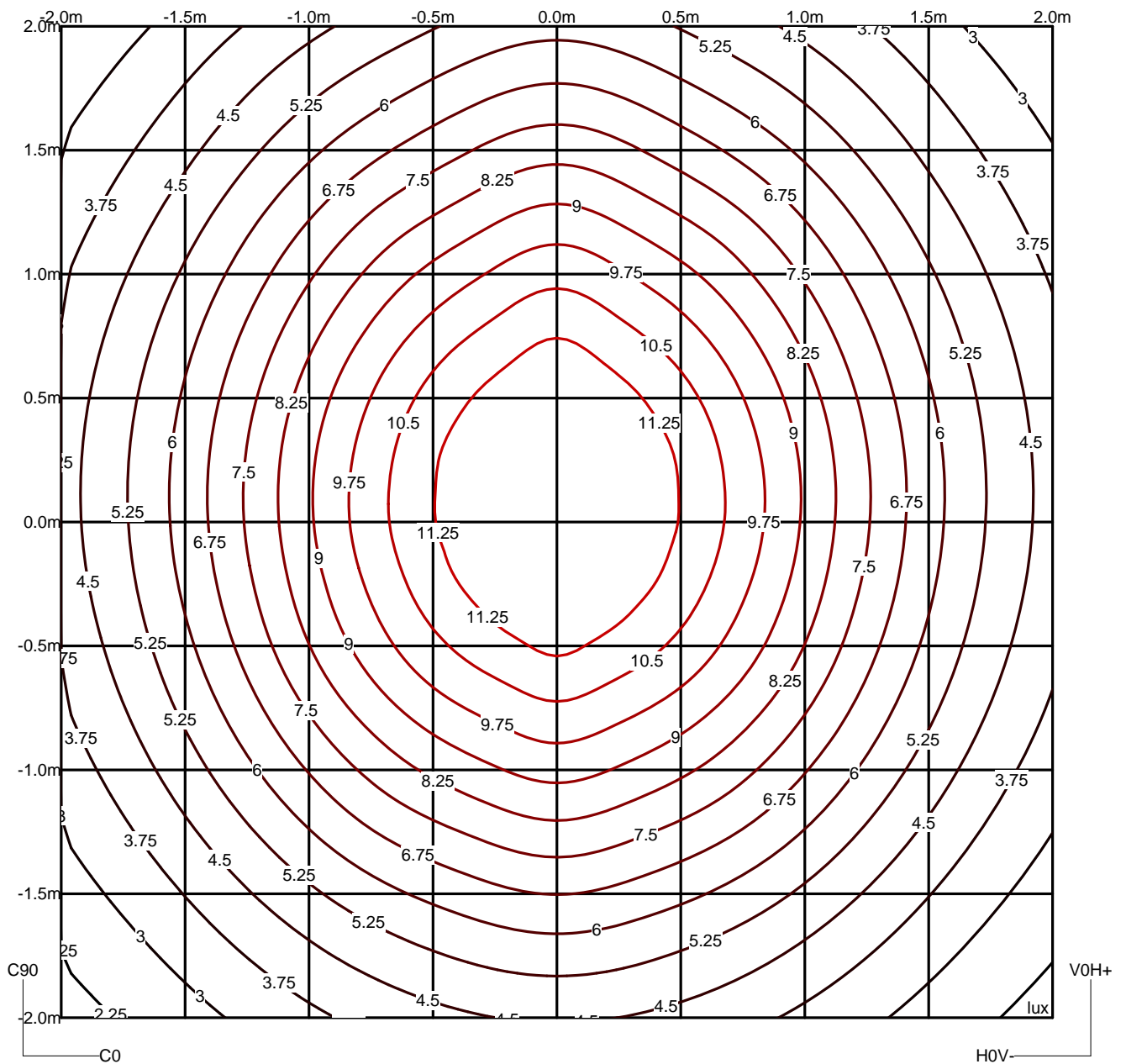
H[m]	D[m]	Max lux	Med lux	Beta=40.9°+50.7° G=0.0	
1.00	2.09	112	42		
2.00	4.17	28	10		
3.00	6.26	12	5		
4.00	8.34	7	3		
5.00	10.43	4	2		

Luminaire	Measur.	Lamp
Code 05-1819-BW-BW	Code 05-1819-BW-BW	Code 05-1819-BW-BW
Name Aplique 6 leds x1W CREE blanco	Name Aplique 6 leds x1W CREE blanco	Number 1
Line Eulumdat	Date 05-07-2013	Position

Efficiency 100.00%	Coordinate system CG	Total Flux 435.01 lm
--------------------	----------------------	----------------------

Isolux (Floor)

Luminaire position X=0.00m Y=0.00m Z=3.00m



Luminaire

Code 05-1819-BW-BW
 Name Aplique 6 leds x1W CREE blanco
 Line Eulumdat

Measur.

Code 05-1819-BW-BW
 Name Aplique 6 leds x1W CREE blanco
 Date 05-07-2013

Lamp

Code 05-1819-BW-BW
 Number 1
 Position

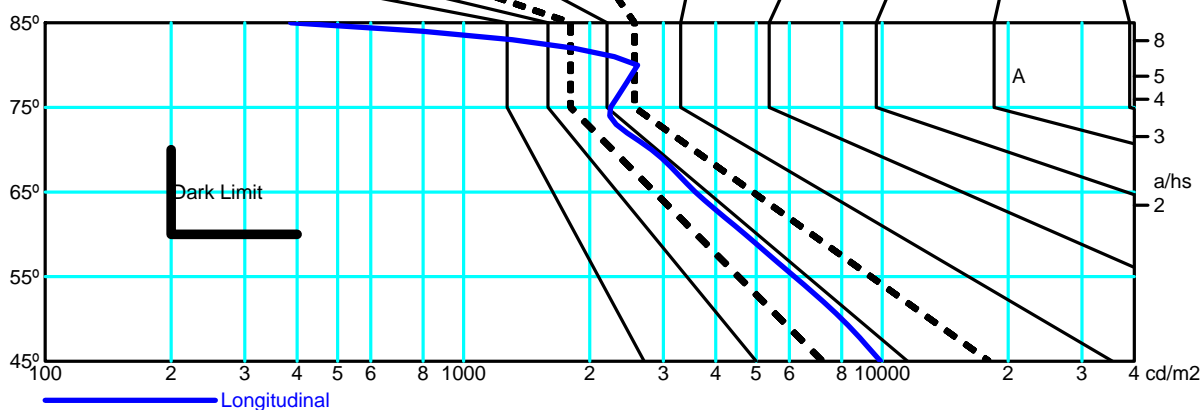
Efficiency 100.00%

Coordinate system CG

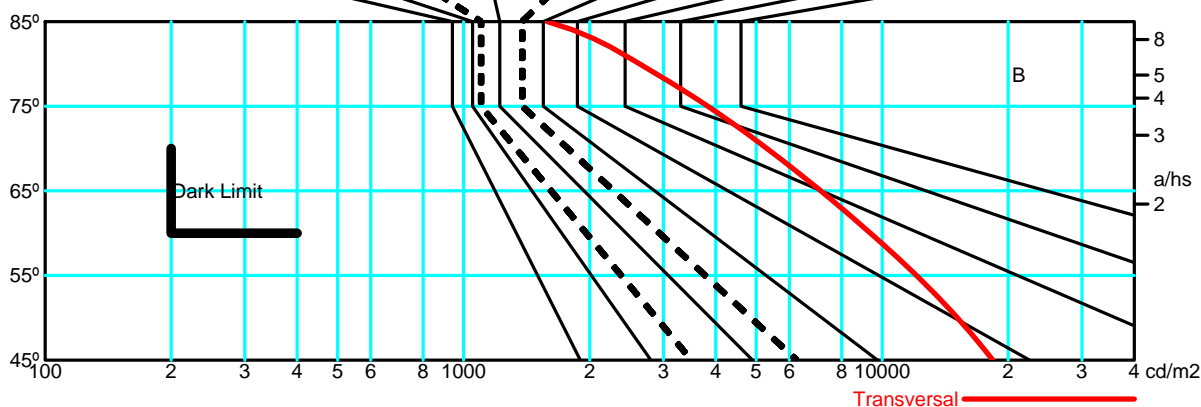
Total Flux 435.01 lm

		Average Luminance [cd/m ²]										
		0.0°	45°	50°	55°	60°	65°	70°	75°	80°	85°	
90.0°		18371	15118	12075	9374	7131	5307	3834	2633	1586	---	
		9911	8006	6166	4705	3579	2812	2243	2604	386	---	

Flush mounted or longitudinal view													
		Illumination(lx)											
A	A	2000	1000	750	500			<300				1.15	
B	1		2000	1500	1000	750	500	<300				1.5	
C					2000			1000	500	<300		1.85	
D	2							2000	1000	500	<300	2.2	
E	3								2000	1000	500	<300	2.55

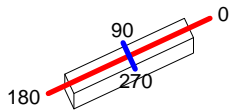


Flush mounted or transversal view													
		Illumination(lx)											
A	A	2000	1000	750	500			<300				1.15	
B	1		2000	1500	1000	750	500	<300				1.5	
C					2000			1000	500	<300		1.85	
D	2							2000	1000	500	<300	2.2	
E	3								2000	1000	500	<300	2.55



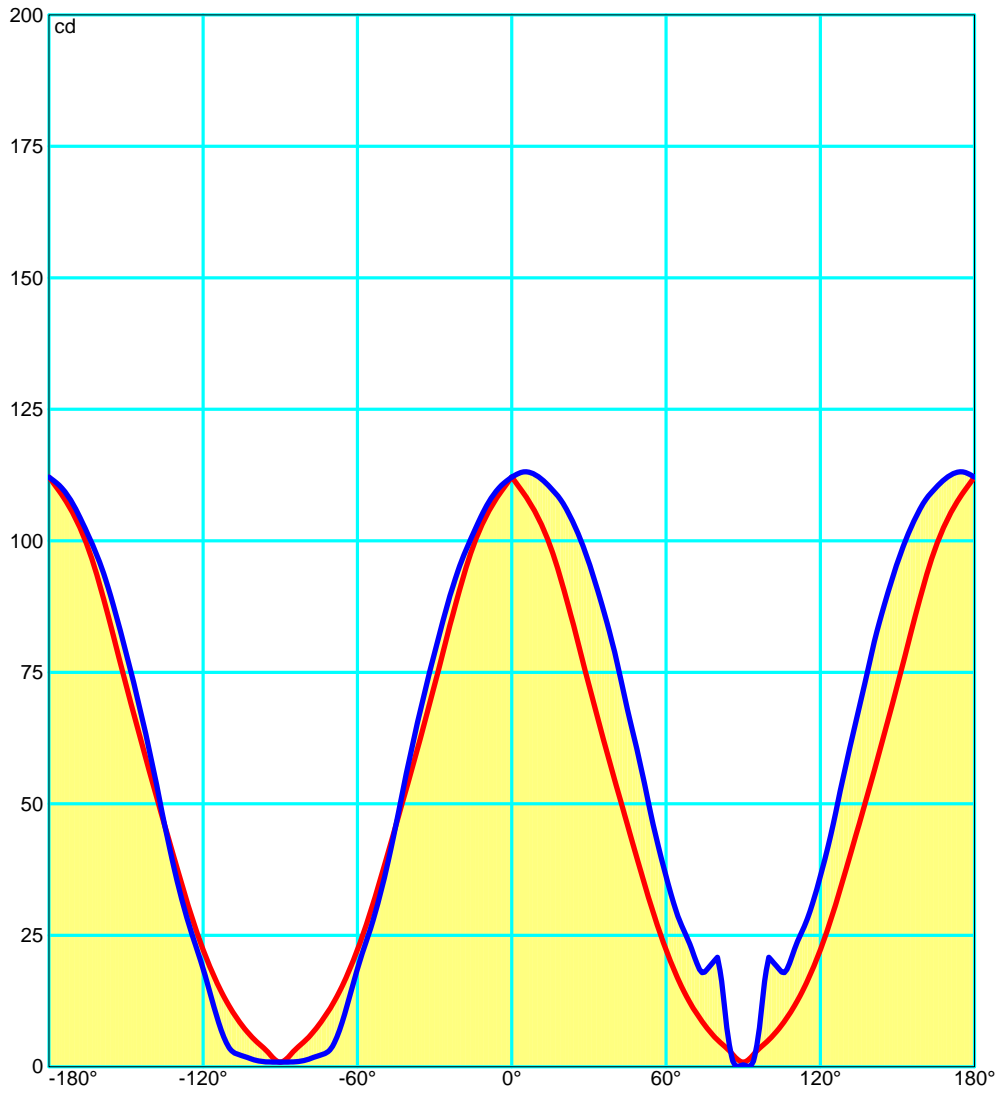
Luminaire		Measur.		Lamp	
Code	05-1819-BW-BW	Code	05-1819-BW-BW	Code	05-1819-BW-BW
Name	Aplique 6 leds x1W CREE blanco	Name	Aplique 6 leds x1W CREE blanco	Number	1
Line	Eulumdat	Date	05-07-2013	Position	
Efficiency	100.00%	Coordinate system	CG	Total Flux	435.01 lm

56mm x 345mm



C Halfplanes

180.0 ——— 0.0
 270.0 ——— 90.0



Luminaire		Measur.		Lamp	
Code	05-1819-BW-BW	Code	05-1819-BW-BW	Code	05-1819-BW-BW
Name	Aplique 6 leds x1W CREE blanco	Name	Aplique 6 leds x1W CREE blanco	Number	1
Line	Eulumdat	Date	05-07-2013	Position	
Efficiency	100.00%	Coordinate system	CG	Total Flux	435.01 lm

UGR
S = 0.250

Reflectancies										
Ceiling/Cavity	0.7	0.7	0.5	0.5	0.3	0.7	0.7	0.5	0.5	0.3
Walls	0.5	0.3	0.5	0.3	0.3	0.5	0.3	0.5	0.3	0.3
WorkingPlane	0.2	0.2	0.2	0.2	0.2	0.2	0.2	0.2	0.2	0.2
RoomDimensions	ViewedCrosswise					ViewedEndwise				
x=2H y=2H	15.3	16.0	16.2	16.9	15.4	12.7	13.5	13.6	14.3	15.4
x=2H y=3H	15.9	16.5	16.8	17.4	15.4	12.6	13.3	13.5	14.2	15.4
x=2H y=4H	16.0	16.7	17.0	17.6	15.2	12.5	13.1	13.4	14.1	15.2
x=2H y=6H	16.1	16.7	17.1	17.6	15.1	12.4	12.9	13.3	13.9	15.1
x=2H y=8H	16.1	16.7	17.1	17.6	15.0	12.3	12.9	13.3	13.8	15.0
x=2H y=12H	16.1	16.7	17.1	17.6	14.9	12.2	12.8	13.2	13.7	14.9
x=4H y=2H	15.2	15.8	16.2	16.8	15.5	12.8	13.4	13.7	14.3	15.5
x=4H y=3H	15.9	16.4	16.8	17.3	15.4	12.7	13.3	13.7	14.2	15.4
x=4H y=4H	16.1	16.5	17.1	17.5	15.3	12.6	13.1	13.6	14.0	15.3
x=4H y=6H	16.3	16.6	17.3	17.6	15.1	12.5	12.9	13.5	13.9	15.1
x=4H y=8H	16.3	16.7	17.3	17.7	15.1	12.4	12.8	13.4	13.8	15.1
x=4H y=12H	16.4	16.7	17.4	17.7	15.0	12.4	12.7	13.4	13.7	15.0
x=8H y=4H	16.0	16.3	17.0	17.3	15.1	12.5	12.8	13.5	13.8	15.1
x=8H y=6H	16.2	16.5	17.2	17.5	15.0	12.3	12.6	13.4	13.6	15.0
x=8H y=8H	16.3	16.6	17.4	17.6	14.9	12.3	12.5	13.3	13.6	14.9
x=8H y=12H	16.4	16.7	17.5	17.7	14.8	12.2	12.4	13.3	13.5	14.8
x=12H y=4H	15.9	16.2	16.9	17.2	15.0	12.4	12.7	13.4	13.7	15.0
x=12H y=6H	16.2	16.4	17.2	17.5	14.9	12.3	12.5	13.3	13.6	14.9
x=12H y=8H	16.3	16.5	17.4	17.6	14.8	12.2	12.4	13.3	13.5	14.8

Luminaire	Measur.	Lamp
Code 05-1819-BW-BW	Code 05-1819-BW-BW	Code 05-1819-BW-BW
Name Applique 6 leds x1W CREE blanco	Name Applique 6 leds x1W CREE blanco	Number 1
Line Eulumdat	Date 05-07-2013	Position

Efficiency 100.00%	Coordinate system CG	Total Flux 435.01 lm
--------------------	----------------------	----------------------

Total Flux=435.01 Luminaire Flux=435.01

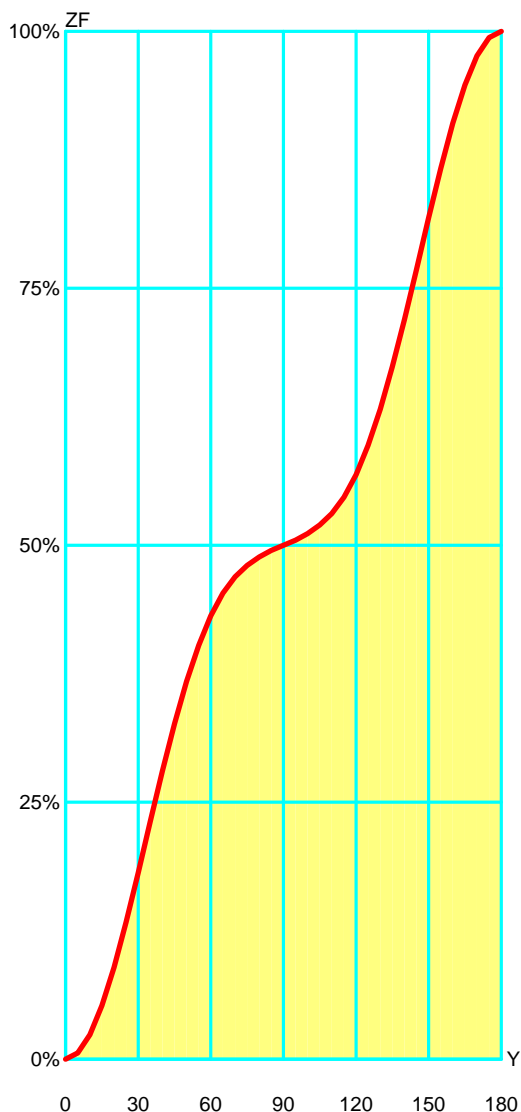
	0.60	0.80	1.00	1.25	1.50	2.00	2.50	3.00	4.00	5.00	10.00	20.00
RI	0.39	0.48	0.55	0.61	0.66	0.74	0.79	0.82	0.86	0.89	0.94	0.97
DRR	4	3	3	3	3	3	3	3	3	3	4	4
RC												

Zonal Flux per 1000 Lumen

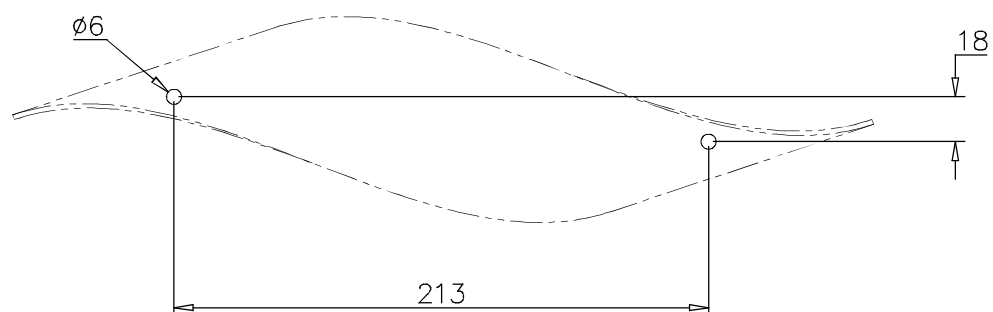
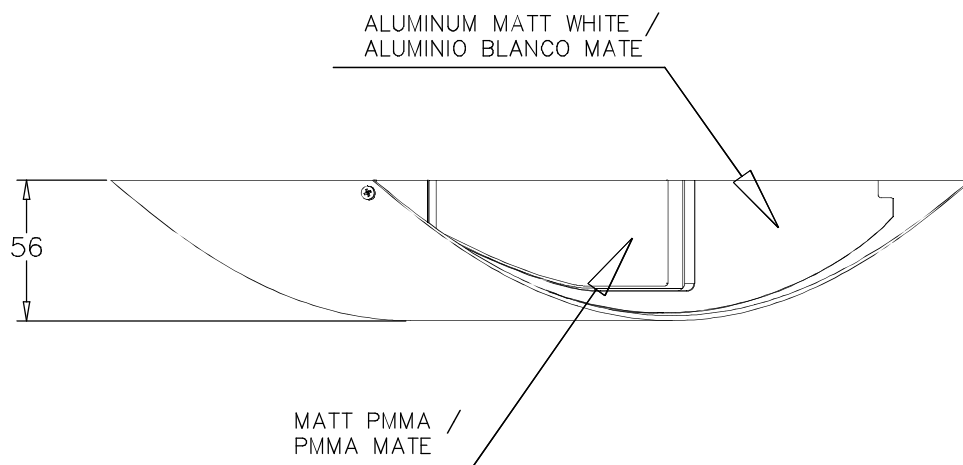
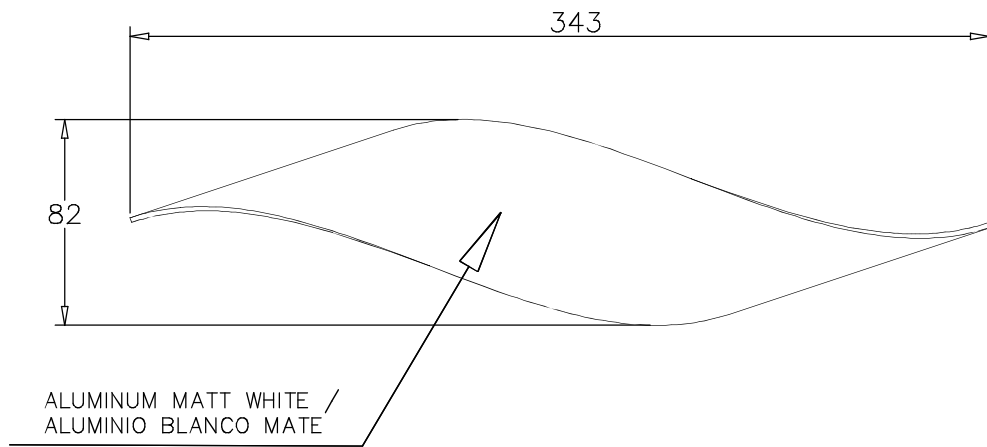
	10	20	30	40	50	60	70	80	90	100	110	120	130	140	150	160	170	180
Y°	24	89	181	280	368	431	469	489	500	511	531	569	632	720	819	911	976	1000
ZF(Y)																		

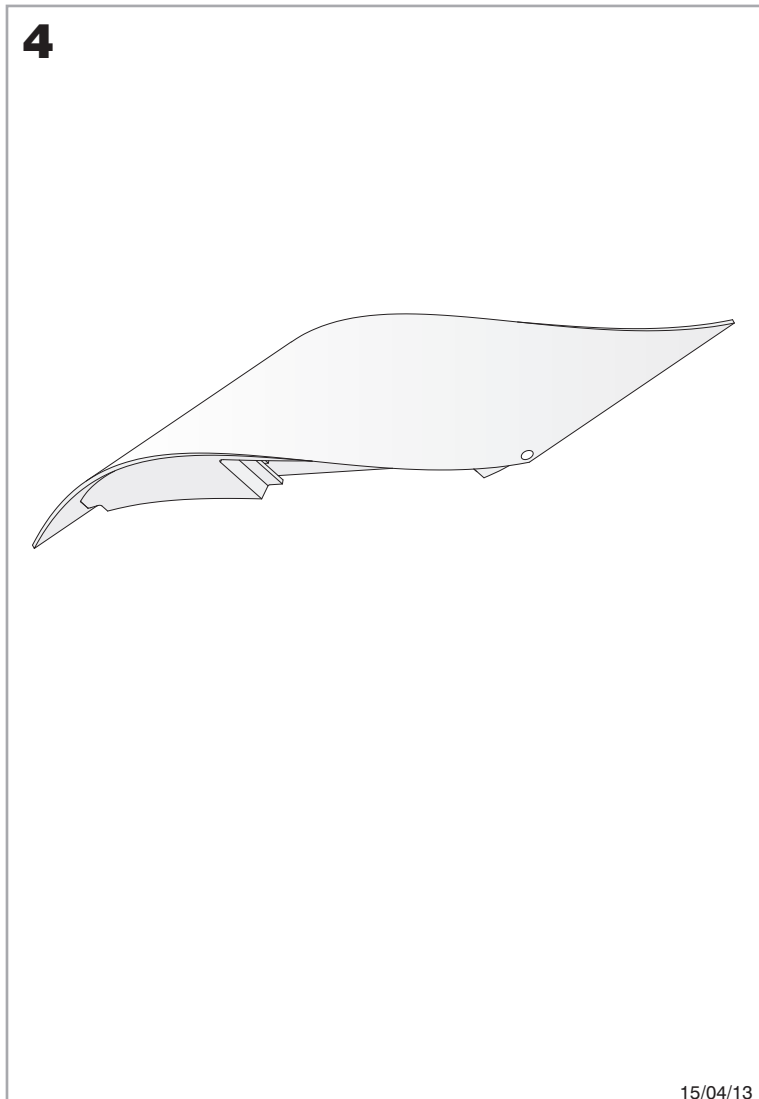
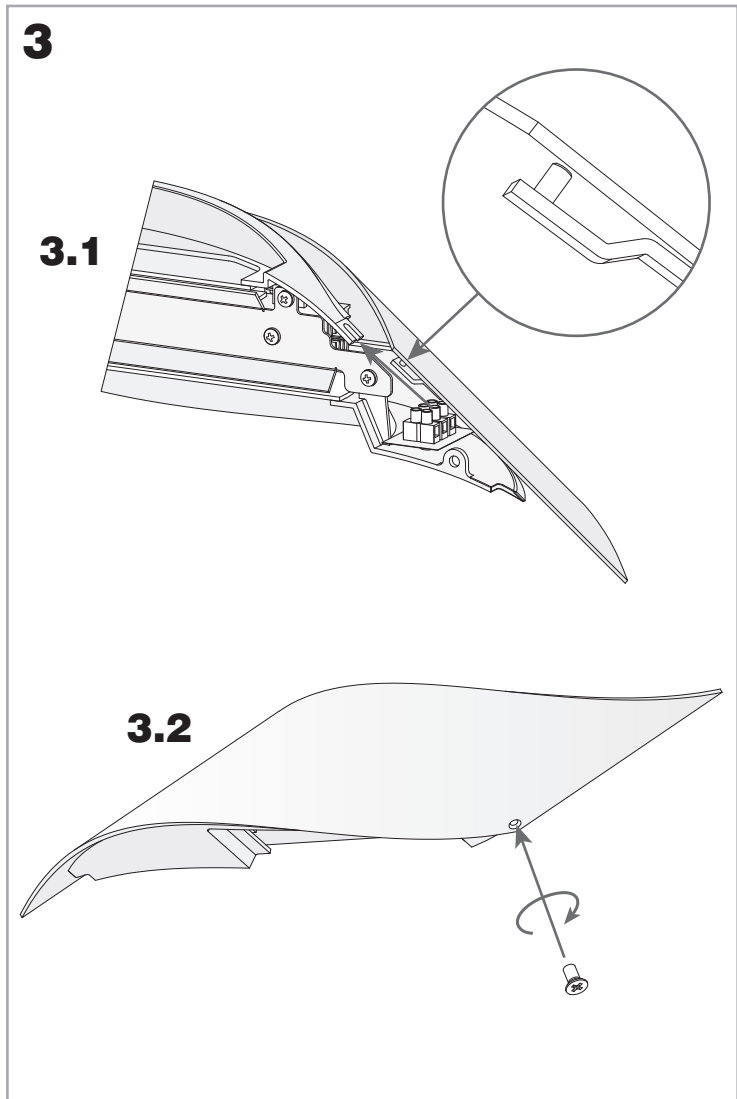
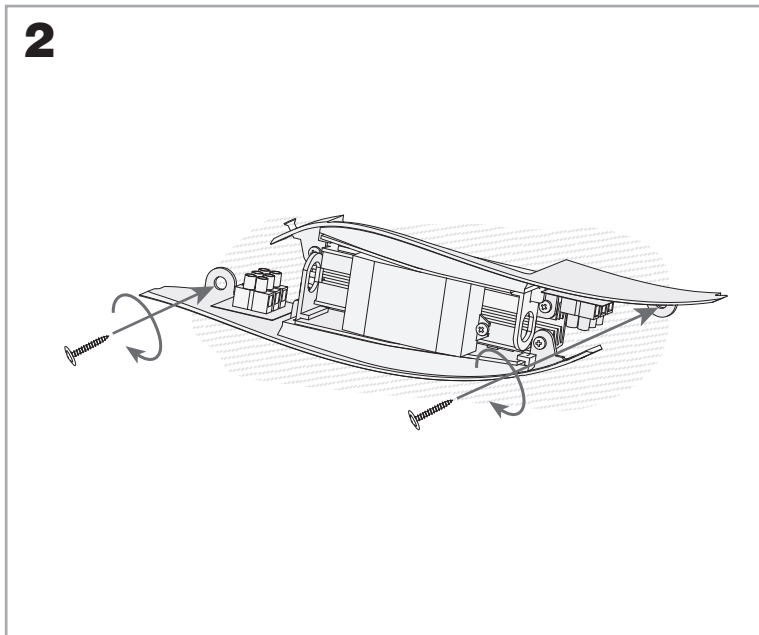
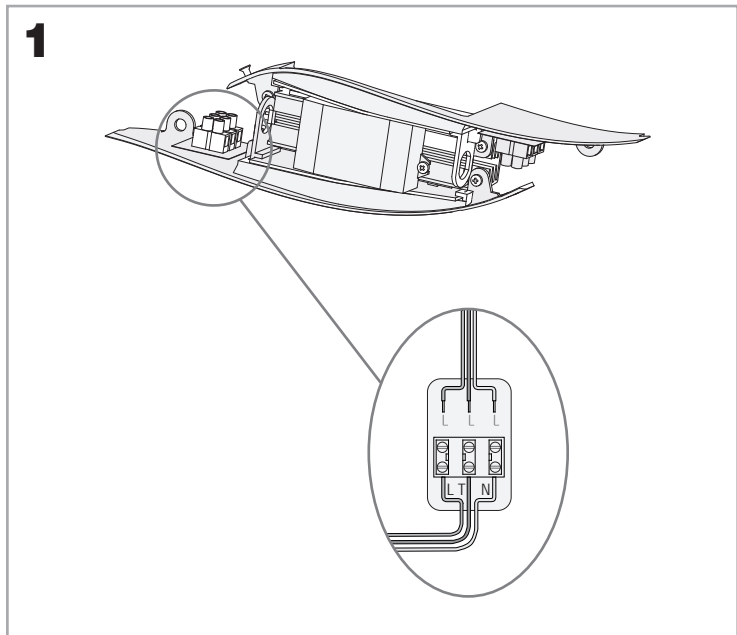
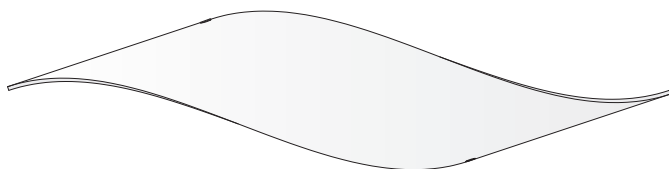
CIE Flux Codes
59 86 96 50 100

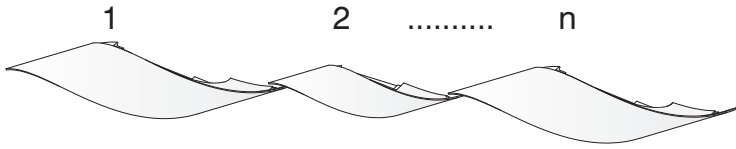
C.I.E.	4/3/3/3/3/3/3/3/4/4	LOR	99.99908 %
D DIN 5040	C41	ULOR	49.99954 %
F UTE	0.50 D + 0.50 T	DLOR	49.99954 %
B NBN	BZ 3 / 4 / BZ 4	UFF	50.00000 %
RN	50.00000 %	DFF	50.00000 %
BLF	1.0	FFR	100.00000 %



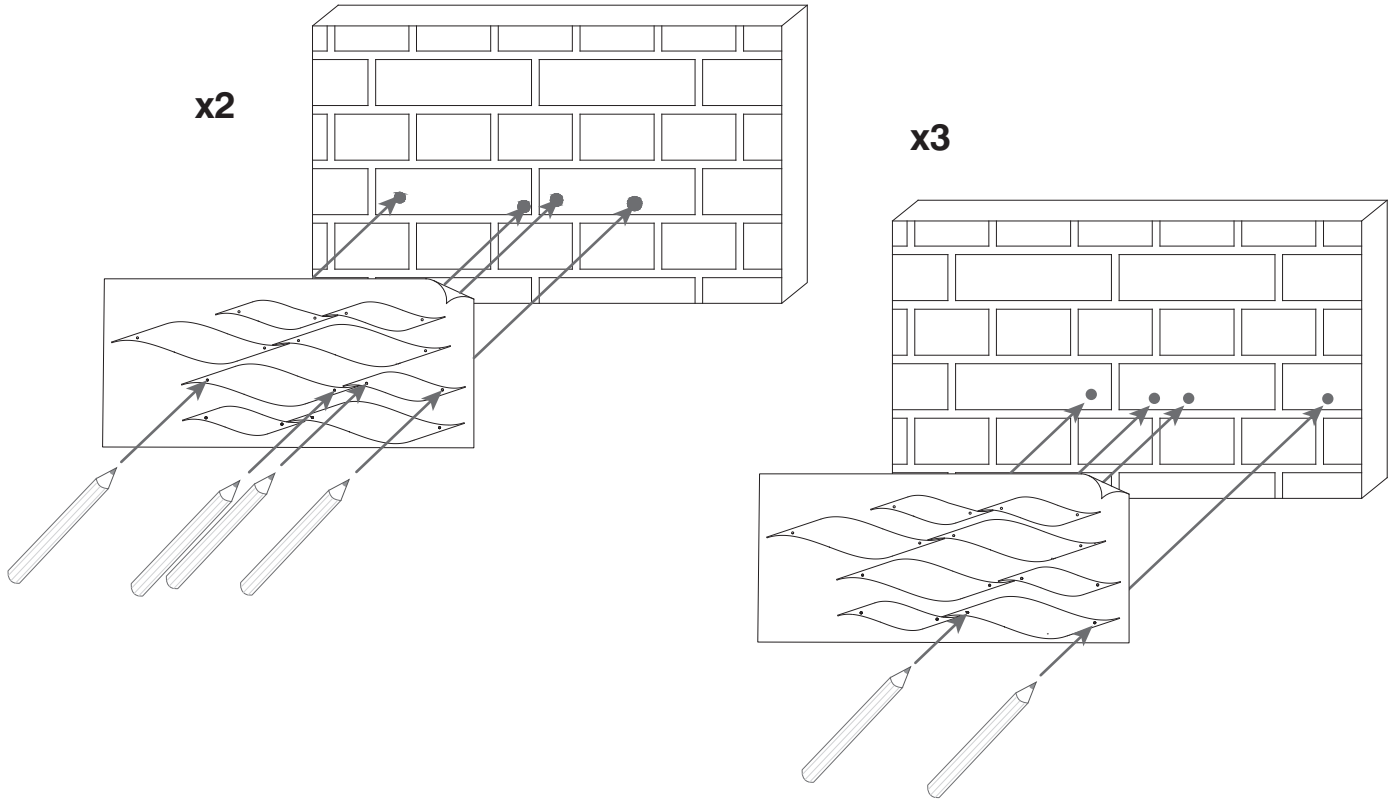
Zonal Flux				
Gamma °	Flux	Sum lm	Flux [%]	Sum [%]
0°	0.00	0.00	0.00%	0.00%
5°	6.09	6.09	0.61%	0.61%
10°	17.75	23.84	1.77%	2.38%
15°	28.30	52.14	2.83%	5.21%
20°	37.21	89.35	3.72%	8.94%
25°	43.96	133.31	4.40%	13.33%
30°	48.16	181.47	4.82%	18.15%
35°	49.84	231.31	4.98%	23.13%
40°	49.09	280.40	4.91%	28.04%
45°	46.06	326.46	4.61%	32.65%
50°	41.18	367.64	4.12%	36.76%
55°	35.10	402.74	3.51%	40.27%
60°	28.57	431.31	2.86%	43.13%
65°	22.04	453.36	2.20%	45.34%
70°	15.90	469.26	1.59%	46.93%
75°	11.05	480.30	1.10%	48.03%
80°	8.29	488.59	0.83%	48.86%
85°	6.44	495.03	0.64%	49.50%
90°	4.97	500.00	0.50%	50.00%
95°	4.97	504.96	0.50%	50.50%
100°	6.44	511.40	0.64%	51.14%
105°	8.29	519.69	0.83%	51.97%
110°	11.05	530.73	1.10%	53.07%
115°	15.90	546.63	1.59%	54.66%
120°	22.04	568.68	2.20%	56.87%
125°	28.57	597.25	2.86%	59.73%
130°	35.10	632.35	3.51%	63.24%
135°	41.18	673.53	4.12%	67.35%
140°	46.06	719.59	4.61%	71.96%
145°	49.09	768.68	4.91%	76.87%
150°	49.84	818.52	4.98%	81.85%
155°	48.16	866.68	4.82%	86.67%
160°	43.96	910.64	4.40%	91.06%
165°	37.21	947.85	3.72%	94.79%
170°	28.30	976.15	2.83%	97.62%
175°	17.75	993.90	1.77%	99.39%
180°	6.09	999.99	0.61%	100.00%



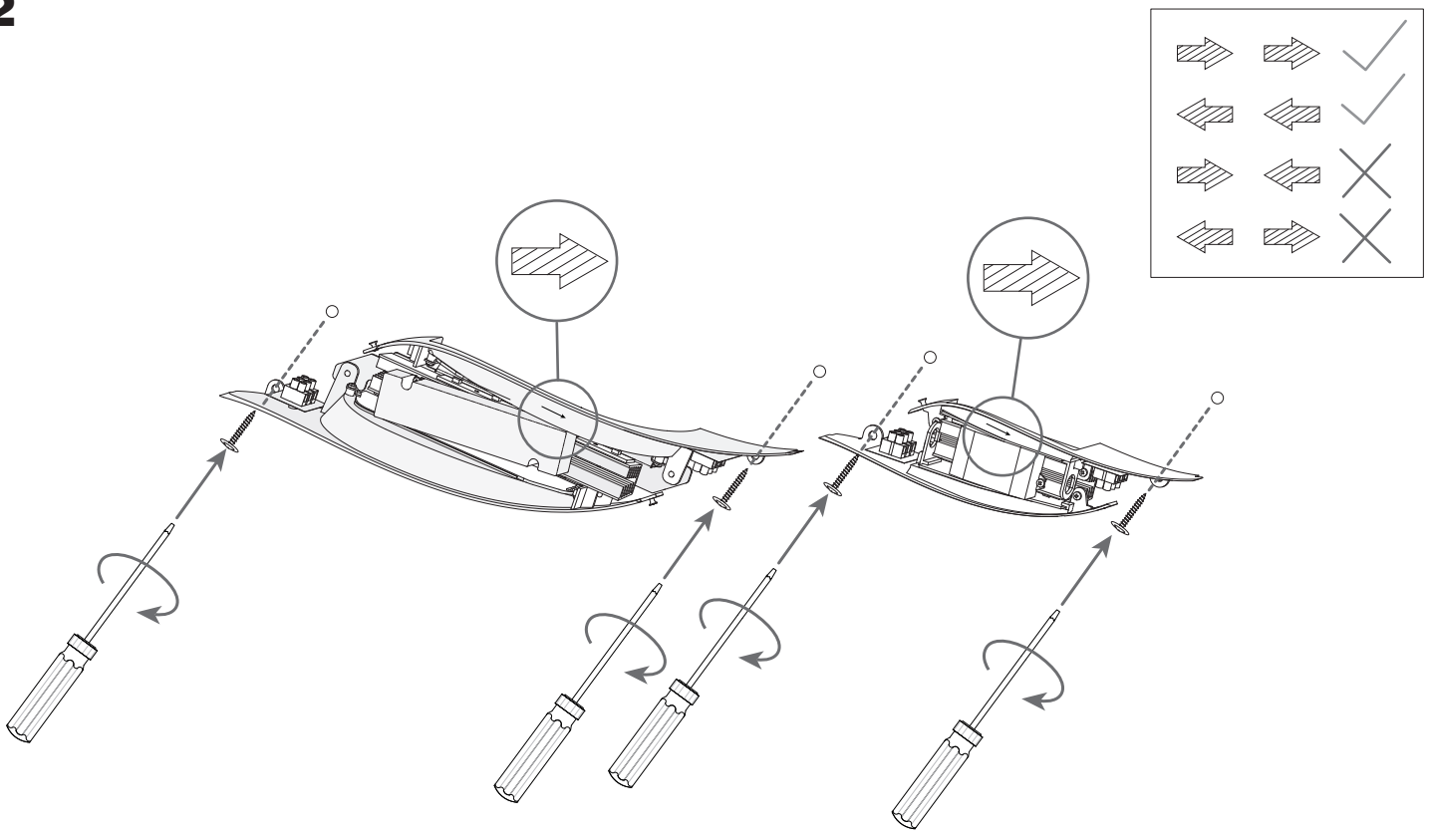


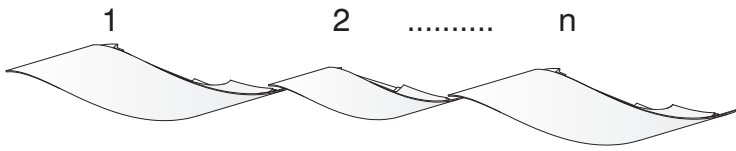


1

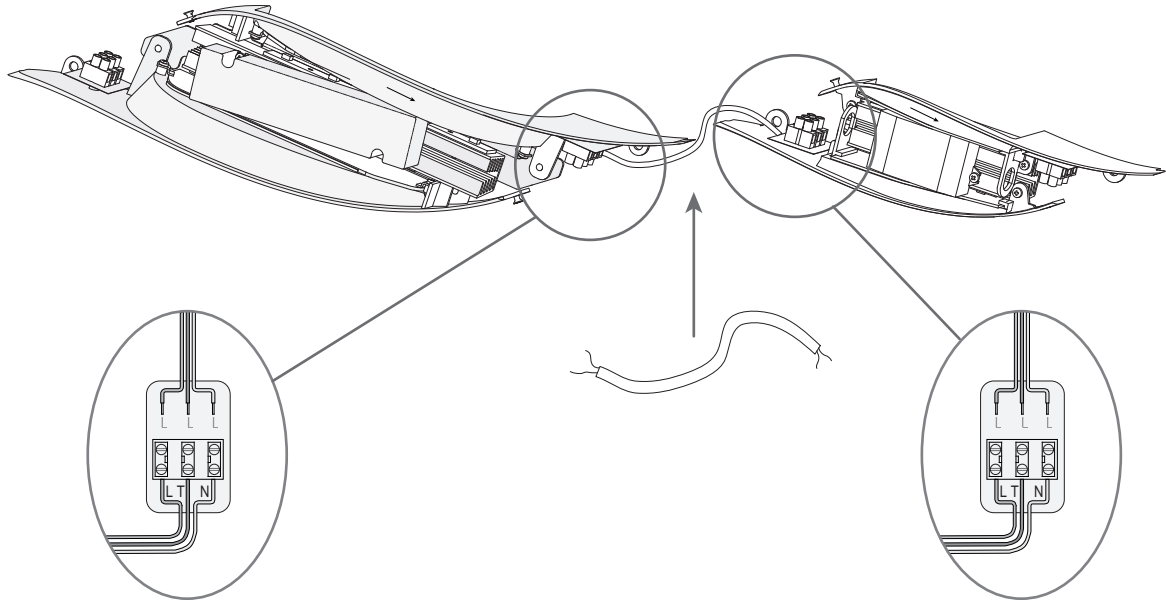


2





3



4

